


### Load Data



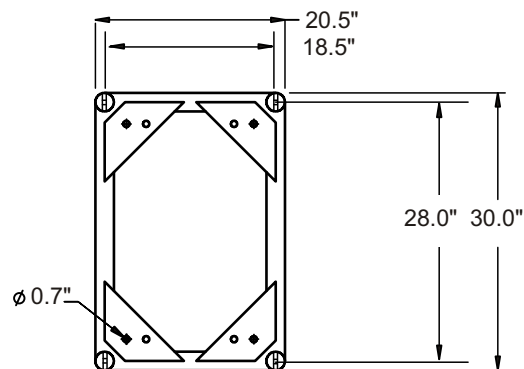
span (ft)	Uniform Loads			Center Pt. Load		Third Pt. Load		Quarter Pt. Load	
	load (plf)	load (lbs)	defl (in)	load (lbs)	defl (in)	load (lbs)	defl (in)	load (lbs)	defl (in)
5	1926	9628	0.005	5098	0.004	2549	0.003	2929	0.005
10	959	9590	0.037	5060	0.032	2530	0.027	2916	0.043
15	637	9552	0.126	5022	0.106	2511	0.091	2903	0.145
20	469	9380	0.294	4690	0.236	2492	0.214	2345	0.28
25	297	7435	0.46	3717	0.370	2473	0.418	1859	0.437
30	204	6126	0.662	3063	0.535	2297	0.676	1531	0.63
35	148	5179	0.901	2590	0.730	1942	0.92	1295	0.858
40	112	4460	1.177	2230	0.957	1673	1.202	1115	1.122
45	86	3892	1.49	1946	1.216	1460	1.52	973	1.421
50	69	3431	1.839	1715	1.508	1286	1.876	858	1.757
55	55	3046	2.226	1523	1.835	1142	2.269	761	2.128
60	45	2719	2.649	1359	2.195	1019	2.699	680	2.535
65	32	2081	2.732	1041	2.291	780	2.781	520	2.622
70	22	1529	2.732	764	2.328	573	2.777	382	2.631
75	15	1105	2.732	552	2.373	414	2.772	276	2.643
80	10	771	2.732	385	2.428	289	2.766	193	2.656

### Component Weights

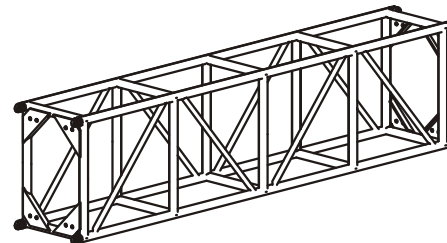
Part No	Description	WT (lbs)
O8HD10	10ft section	115
O8HD8	8ft section	100
O8HD5	5ft section	88
O8HD3M	3m section	115
O8HD2M	2m section	93
O8HD1M	1m section	71



### Dimensions



### 3d view



### Truss Features

#### Description

- External Dimensions
- Connection Centers
- Material Type
- Connector Type
- Maximum Certified Span
- Notes

#### Specification

- 20-1/2" w. x 30"h.
- 18-1/2"w. x 28-1/2"h.
- 6061-T6 Aluminum
- OMNI Connectors
- 80ft
- Also available in 30" x 30" wide format