


Load Data - Medium Square

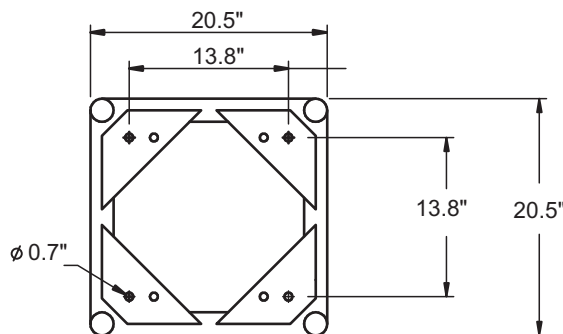


span (ft)	Uniform Loads			Center Pt. Load		Third Pt. Load		Quarter Pt. Load	
	load (plf)	load (lbs)	defl (in)	load (lbs)	defl (in)	load (lbs)	defl (in)	load (lbs)	defl (in)
5	1243	6213	0.01	4926	0.01	2463	0.01	2472	0.01
10	618	6179	0.06	4892	0.07	2446	0.06	2460	0.08
15	410	6145	0.19	3728	0.18	2429	0.20	1864	0.21
20	277	5532	0.40	2766	0.32	2074	0.41	1383	0.38
25	175	4364	0.63	2182	0.51	1637	0.64	1091	0.60
30	119	3575	0.90	1787	0.73	1340	0.92	894	0.86
35	86	3001	1.23	1500	1.00	1125	1.25	750	1.17
40	64	2562	1.60	1281	1.31	961	1.64	640	1.53
45	49	2213	2.03	1107	1.67	830	2.07	553	1.94
50	39	1927	2.51	964	2.08	723	2.55	482	2.40

Load Data - Triangular

5	1056	5280	0.01	4435	0.02	2218	0.01	1760	0.02
10	525	5254	0.09	3180	0.09	2205	0.11	1590	0.11
15	280	4197	0.26	2098	0.21	1574	0.26	1049	0.24
20	155	3103	0.46	1552	0.37	1164	0.46	776	0.43
25	97	2437	0.71	1218	0.58	914	0.73	609	0.68
30	66	1984	1.02	992	0.83	744	1.04	496	0.98
35	47	1653	1.39	826	1.14	620	1.42	413	1.33
40	35	1399	1.82	699	1.50	524	1.85	350	1.74
45	27	1195	2.30	597	1.92	448	2.34	299	2.21
50	21	1027	2.84	514	2.39	385	2.89	257	2.73

Dimensions



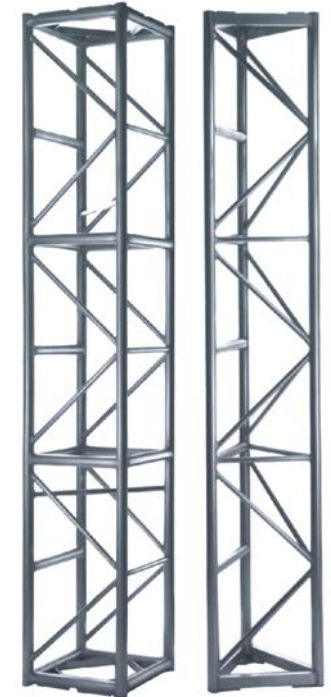
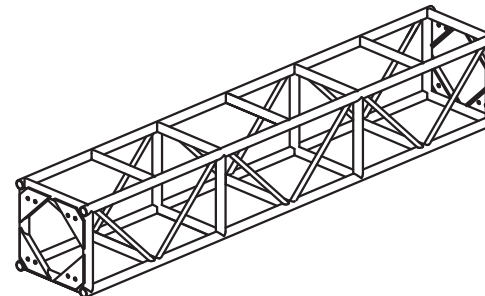
Component Weights

Part No	Description	WT (lbs)
MD10FN	10ft section Bolted connection	84
MD8FN	8ft section Bolted connection	63
MD5FN	5ft section Bolted connection	52
MD3MN	3m section Bolted connection	84
MD2MN	2m section Bolted connection	58
MD1MN	1m section Bolted connection	35
MDC2N	2 way corner section Bolted connection	35
MDC3N	3 way corner section Bolted connection	46
MDC4N	4 way corner section Bolted connection	55
MDC5N	5 way corner section Bolted connection	64
MDC6N	6 way corner section Bolted connection	73

Triangular

MDT10FN	10ft section Bolted connection	58
MDT8FN	8ft section Bolted connection	49
MDT5FN	5ft section Bolted connection	37
MDT3MN	3m section Bolted connection	58
MDT2MN	2m section Bolted connection	40
MDT1MN	1m section Bolted connection	23
MDTC2N	2 way corner section Bolted connection	25
MDTC3N	3 way corner section Bolted connection	37
MDTC4N	4 way corner section Bolted connection	50

3d view



Truss Features

Description

- External Dimensions
- Connection Centers
- Material Type
- Connector Type
- Maximum Certified Span

Specification

- 20-1/2" w. x 20-1/2"h.
- 13.78" x 13.78"
- 6061-T6 Aluminum
- 5/8" Grade 8 Steel nuts & bolts
- 50ft