


Load Data



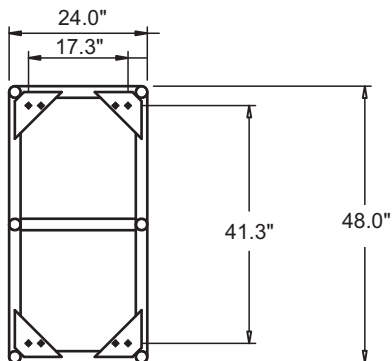
span (ft)	Uniform Loads			Center Pt. Load		Third Pt. Load		Quarter Pt. Load	
	load (plf)	load (lbs)	defl (in)	load (lbs)	defl (in)	load (lbs)	defl (in)	load (lbs)	defl (in)
10	1852	18518	0.027	9784	0.023	4892	0.019	4921	0.027
20	691	13821	0.161	6911	0.13	4824	0.154	3455	0.153
30	300	8987	0.363	4494	0.293	3370	0.37	2247	0.345
40	163	6503	0.645	3251	0.526	2438	0.658	1626	0.615
50	99	4957	1.008	2479	0.83	1859	1.027	1239	0.963
60	65	3882	1.451	1941	1.211	1456	1.478	970	1.931
70	44	3075	1.975	1537	1.673	1153	2.008	769	1.899
80	27	2125	2.352	1062	2.041	797	2.387	531	2.274
90	11	1033	2.352	516	2.137	387	2.376	258	2.298
100	3	285	2.352	143	2.271	107	2.361	71	2.322

Component Weights

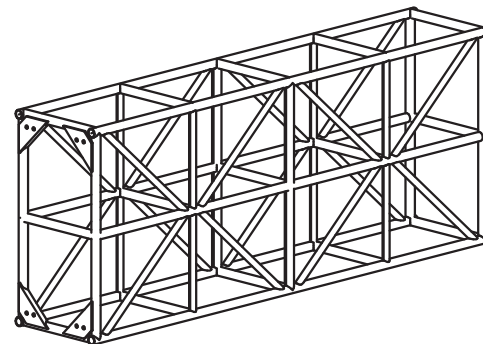
Part No	Description	WT (lbs)
XHD10FN	10ft section Bolted connection	140
XHD8FN	8ft section Bolted connection	129
XHD5FN	5ft section Bolted connection	83
XHD3MN	3m section Bolted connection	140
XHD2MN	2m section Bolted connection	121
XHD1MN	1m section Bolted connection	75
XHDC2N	2 way corner section Bolted connection	57
XHDC3N	3 way corner section Bolted connection	71
XHDC4N	4 way corner section Bolted connection	84



Dimensions



3d view



Truss Features

Description

- External Dimensions
- Connection Centers
- Material Type
- Connector Type
- Maximum Certified Span

Specification

- 24" w. x 48" h.
- 17.28" w. x 41.28" h.
- 6061-T6 Aluminum
- 5/8" Grade 8 Steel nuts & bolts
- 100ft