


### Load Data



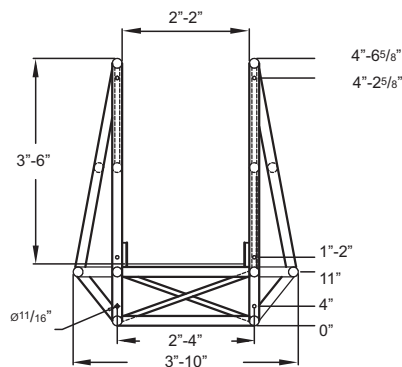
span (ft)	Uniform Loads			Center Pt. Load		Third Pt. Load		Quarter Pt. Load	
	load (plf)	load (lbs)	defl (in)	load (lbs)	defl (in)	load (lbs)	defl (in)	load (lbs)	defl (in)
5	2801	14007	0.002	14007	0.002	7003	0.002	4669	0.002
10	1385	13854	0.012	13854	0.020	6927	0.017	4618	0.016
15	913	13701	0.042	13701	0.066	6850	0.056	4567	0.052
20	677	13548	0.098	13312	0.152	6774	0.133	4516	0.124
25	536	13395	0.192	10512	0.239	6697	0.258	4465	0.241
30	441	13242	0.332	8619	0.345	6465	0.435	4310	0.406
35	374	13089	0.528	7246	0.472	5434	0.592	3623	0.553
40	310	12394	0.757	6197	0.620	4648	0.773	3098	0.723
45	238	10728	0.959	5364	0.789	4023	0.977	2682	0.916
50	187	9364	1.183	4684	0.980	3512	1.206	2341	1.133
55	149	8221	1.432	4110	1.194	3083	1.458	2055	1.373
60	121	7242	1.704	3621	1.432	2716	1.734	1811	1.636

### Component Weights

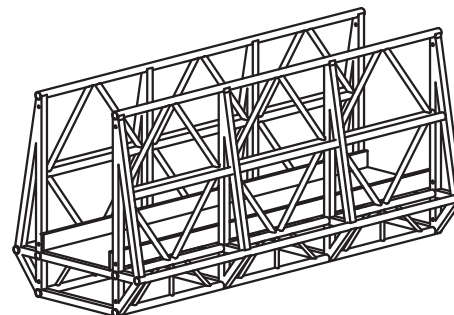
Part No	Description	WT (lbs)
CW10	10ft section	390
CW8	8ft section	312
CW5	5ft section	195
CW3M	3m section	390
CW2M	2m section	260
CW1M	1m section	130
CWC-X	Corner section (custom to order)	TBD



### Dimensions



### 3d view



### Truss Features

#### Description

- External Dimensions
- Connection Centers
- Material Type
- Connector Type
- Maximum Certified Span

#### Specification

- Refer to drawing
- Refer to drawing
- 6061-T6 Aluminum
- 5/8" Grade 8 Steel nuts & bolts
- 60ft