


Load Data



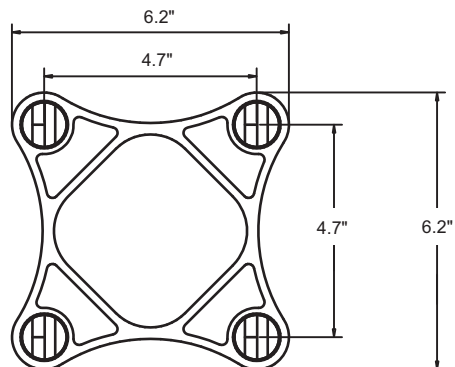
span (ft)	Uniform Loads			Center Pt. Load	
	load (plf)	load (lbs)	defl (in)	load (lbs)	defl (in)
4	414	1654	0.10	1654	0.10
8	206	1645	0.50	1166	0.50
12	128	1540	1.50	770	1.20
16	71	1140	2.70	570	2.20
20	45	896	4.20	448	3.40
24	30	731	6.10	365	5.00

Component Weights

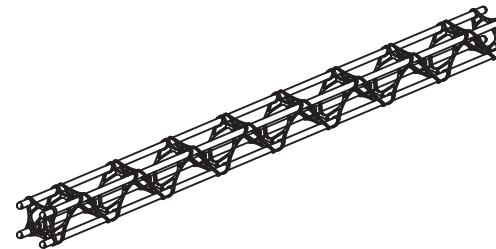
Part No	Description	WT (lbs)
NWC10-B	10ft Section	11
NWC9-B	9ft Section	10
NWC8-B	8ft Section	9
NWC7-B	7ft Section	8
NWC6-B	6ft Section	7
NWC5-B	5ft Section	6
NWC4-B	4ft Section	5
NWC3-B	3ft Section	4
NWC2-B	2ft Section	3
NWC3M-B	3m Section	11
NWC2.5M-B	2.5m Section	9



Dimensions



3d view



Truss Features

Description	Specification
■ External Dimensions	■ 6"w. x 6"h.
■ Connection Centers	■ 5"w. x 5"h.
■ Material Type	■ Carbon Fiber/ Aluminum Hybrid
■ Connector Type	■ new wave OMNI connectors
■ Maximum Certified Span	■ 24ft