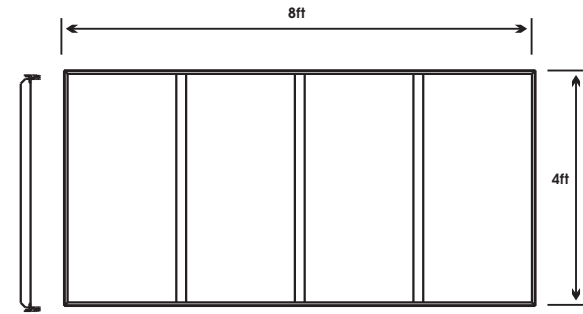


ARENA DECK

Specifications

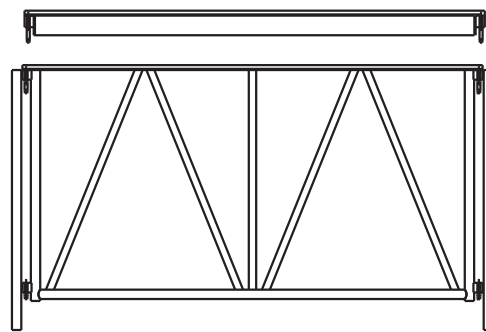
Modular Staging units consist of four basic components:

- Low Profile Stage Deck
 - Main Support Gate
 - Node Post with adjustable screw jack
 - Link Beam
- Fast & easy assembly no tools required
 - Ergonomic design allows for low volume storage and transportation
 - All components are lightweight for easy handling
 - 150lbs/sq.ft stage load rating
 - Easy under stage access due to Link Beam design
 - Available in 4ft x 4ft & 4ft x 8ft modules as standard
 - Handrails, Ramps, Stairs, Dollies are available
 - Special variations available on request
 - Height ranges to suit clients requirements



Low profile stage deck

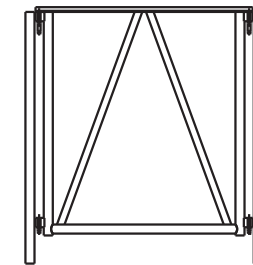
Link beam - 8ft



Main support gate - 8ft



Node post



Main support gate - 4ft

Link beam - 4ft



